

ROBUS®

SURFACE FITTING

GOLF EXPRESS MODULAR MULTIWATTAGE LED CCT3 SELECTABLE

10W/14W/18W, IP65



PRODUCT INFORMATION DOCUMENT

FEATURES

- GOLF EXPRESS MODULAR is our most flexible and versatile surface fitting design to date
- Allows selection between three wattages and three colour temperatures, while available plug and play sensors (on/off and 3 step dimming) and emergency pack allowing change of functionality of any off the shelf SKU
- Available off the shelf as standard, sensor, emergency and emergency plus sensor
- Grill and eyelid trims available in white, black and grey finish
- Plain trims available in chrome and black finish
- Conduit entry points and centre body BESA box mounting facility provide options to cater for most surface or conduit wiring infrastructures

CONSTRUCTION

- High impact resistance ABS base and polycarbonate trim
- High efficiency polycarbonate pro-diffuser



WARRANTY



LIFETIME



LUMENS PER W



IK RATING



IP RATING



OPERATING VOLTAGE



BEAM ANGLE



DIMMING



CCT



SAFETY CLASS

Product Code:	Standard	RX100-01	
	Sensor	RX100S-01	
	Emergency		RX100E-01
	Emergency Sensor		RX100ES-01
Comparable to:	28W/38W 2D Fluorescent	28W/38W 2D Fluorescent	
Total Power (W):	9.9/14.1/17.8		10.9/15.2/19.1
Power Factor:	0.8		0.8
Total Light Output (lm):	1190/1630/2000		1200/1640/2010
Total Emergency Light Output (lm):	NA		150
Efficacy (lm/cctW):	121/116/112		109/107/105
Lux at 1m (lux):	330/450/550		330/450/550
Emergency Lux at 1m (lux):	NA		50
CCT (K):	3000/4000/6000		3000/4000/6000
CRI:	80		80
IP:	65		65
Operation Temperature (°C):	-20 ≤ Ta ≤ +45		-10 ≤ Ta ≤ +45
Inrush Current:	4A/1.2us		0.1A/1.2us
SDCM:	<6		<6
Energy Class:	E		E
Rated Life to L70B50 (Hrs):	102000		102000
Rated Life to L80B10 (Hrs):	86000		86000
Rated Life to L90B10 (Hrs):	42000		42000
Dimensions ØxH (mm):	325x80		325x80
Weight (kg):	0.73/0.82		0.9/0.98

Separate Control Gear Information

Type of Light Source:	LED	LED
Full Load Efficiency (%):	94	94
P _{NET} (W):	NA	NA
Dimensions (mm):	67x32x16	67x32x16

PLEASE NOTE: INFORMATION IN THIS DOCUMENT MAY BE SUBJECT TO CHANGE WITHOUT PRIOR NOTICE

IRE: TEL: +353 1 709 9000
UK: TEL: 0800 973 220
AUS: TEL: +61 7 3890 5444
NZ: TEL: +64 03 668 5285

WEB: ROB.US.COM
WEB: ROB.US.COM
WEB: ROB.US.COM.AU
WEB: ROB.US.LED.CO.NZ

LED GROUP EUROPE · UK · AUSTRALIA · NEW ZEALAND · ASIA · MIDDLE EAST · AFRICA

GOLF EXPRESS MODULAR MULTIWATTAGE LED CCT3 SELECTABLE

10W/14W/18W, IP65

Cone Illuminance Diagram

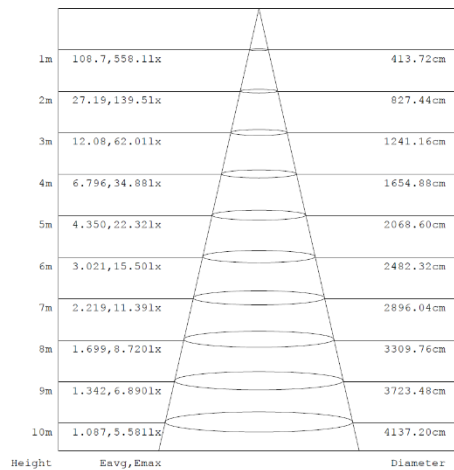
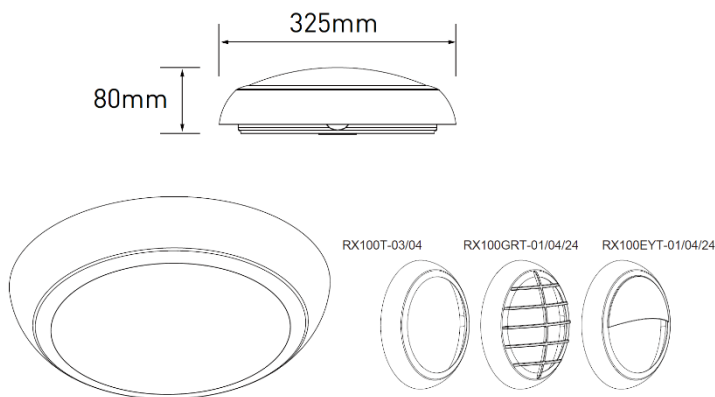


Diagram for RX100-01 18W in 4000K. Other diagrams available on request

Dimension Diagram



Sensor Data

Time Off Delay:	5sec to 30min
Illuminance Switching Range (Lux):	2, 10, 25, 50, Disable
Sensitivity Range (%):	10, 25, 50, 75, 100
Mounting Height (max):	3m
Detection Zone Diameter (max):	10m

Product is certified to all the relevant standards.

Please contact our technical department for market specific compliances.

Polar Intensity Diagram

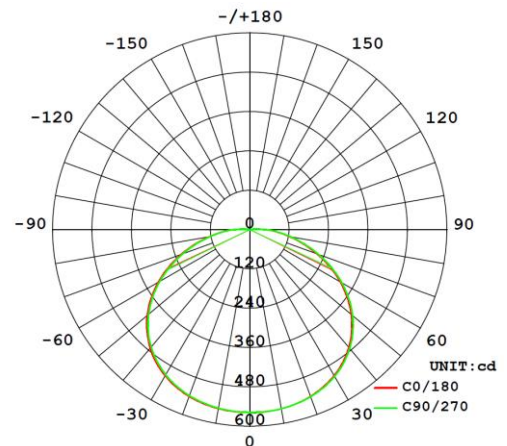


Diagram for RX100-01 18W in 4000K. Other diagrams available on request

Accessories

RXMWS-01	Plug In Microwave Sensor
RXCRS-01	Plug In Corridor Sensor
RXEMPK-PSU	Plug In Emergency Pack
RX100T-03	GOLF EXPRESS Plain Trim Chrome
RX100T-04	GOLF EXPRESS Plain Trim Black
RX100EYT-01	GOLF EXPRESS Eyelid Trim White
RX100EYT-04	GOLF EXPRESS Eyelid Trim Black
RX100EYT-24	GOLF EXPRESS Eyelid Trim Grey
RX100GRT-01	GOLF EXPRESS Grill Trim White
RX100GRT-04	GOLF EXPRESS Grill Trim Black
RX100GRT-24	GOLF EXPRESS Grill Trim Grey